

The M4F-Series 5/2 Foot Pedal valves may be used Lubrication free and may be securely fixed to the floor surface. Options include latching models and foot guards.

Specification

Model	4F210-08	4F210-08L	4F210-08G	4F210-08LG
Fluid	Air (to be filtered by 40µm filter element)			
Operating	acting type controlled by foot			
Port size	1/4"			
Valve type	5 port 2 position			
Pressure range	0 - 0.8MPa(0-114Psi)			
Proof pressure	1.5 MPa(215Psi)			
Temperature	-20-70 °C			
Material of body	Aluminum alloy			
Lubrication	Not required			

G (BSP) threads are standard (NPT threads are available as an option on request)

Model/Ordering Codes

M4F210 — 08 — L — G

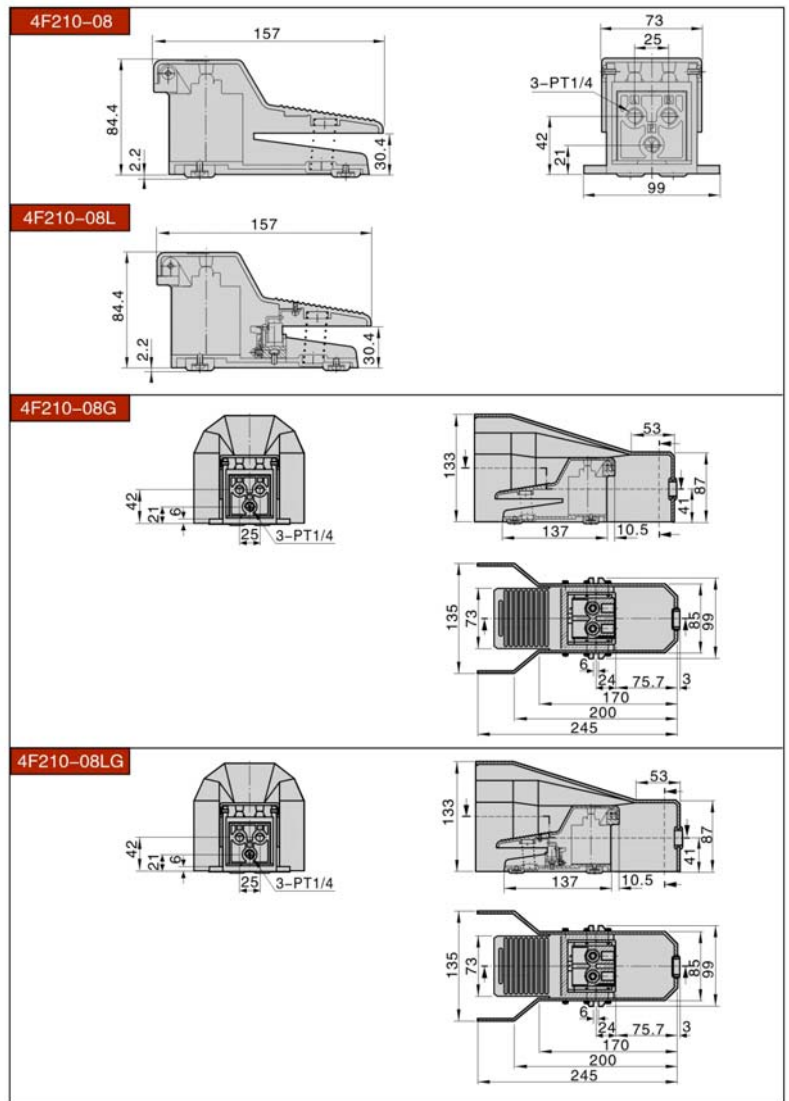
Model
4F210: 5 port 2 position foot pedal valve

Port size
08:1/4"

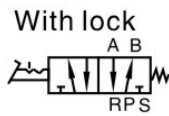
Note
Blank: Without lock
L: With lock
G: With guard
LG: With lock and guard

Thread
G: G
P: PT

Dimensions



Symbols



Product Features

1. Direct acting 5/2 operation.
2. Maybe securely fixed to a flat surface.
3. For applications where sustained foot pressure is required, the lock versions reduces foot fatigue.
4. Foot Guard option available.
5. Maybe used lubrication free.

Inner Structure

NO.	Item	NO.	Item	NO.	Item	NO.	Item
1	Pin	6	Spool	11	Bottom cover	16	Washer
2	Screw	7	O-ring	12	C clip	17	Screw
3	Spring	8	O-ring	13	Silencer	18	Base pad
4	E clip	9	Front cover	14	Base	19	Screw
5	Pedal	10	Piston	15	Pedal spring	20	Base pad

Note:
The mechanism should be greased periodical on all latching models

Aug12/RW/A