

The M3V 1 Series 3/2 direct acting Solenoid actuated valves may be used individually or gang-stacked for multi-task applications. The range may be used Lubrication free and has a selection of AC and DC coil voltages that may be interchanged, reducing inventory costs. A push manual override is standard and assists with installation testing.

### Specification



| Model              | 3V1-M5                                      | 3V1-06 |
|--------------------|---|--------|
| Fluid              | Air (to be filtered by 40um filter element) |        |
| Acting             | Direct acting                               |        |
| Port size ①        | M5  | 1/8"   |
| Valve type         | 3 port 2 position                           |        |
| Lubrication        | Not required                                |        |
| Operating pressure | 0-0.8MPa(0-114Psi)                          |        |
| Proof pressure     | 1.5MPa(215Psi)                              |        |
| Temperature °C     | -20-70                                      |        |
| Orifice size       | φ 1.2mm                                     |        |
| Material of body   | Aluminum alloy                              |        |

### Symbol



1. G (BSP) and M5 threads are standard (NPT threads are available as an option on request)

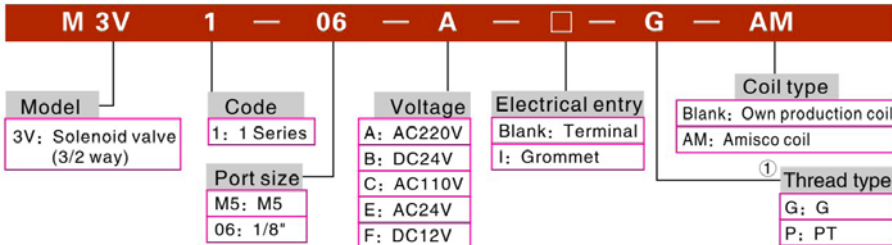
### Coil Specification

| Item                       | Specification                   |
|----------------------------|---------------------------------|
| Standard voltage           | AC220V、AC110V、AC24V、DC24V、DC12V |
| Scope of voltage           | AC: ± 15% DC: ± 10%             |
| Power consumption          | AC: 3.5VA DC : 3.0W             |
| Protection                 | IP65 ( DIN40050 )               |
| Temperature classification | B Class                         |
| Electrical entry           | Terminal、Grommet                |
| Activating time            | 0.05 sec and below              |

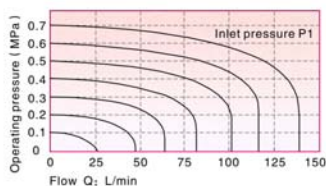
### Product Features

1. Direct acting Solenoid 3/2 normally closed.
2. May be used lubrication free.
3. Can be stacked to save space on installation.
4. Common air supply port to reduce installation time.
5. Push Manual Overrides are standard to assist with installation testing and debugging.
6. Several standard voltages are available with interchangeable coils.

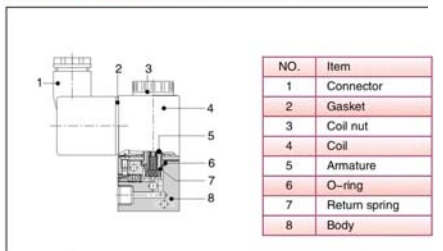
### Model/Ordering Codes



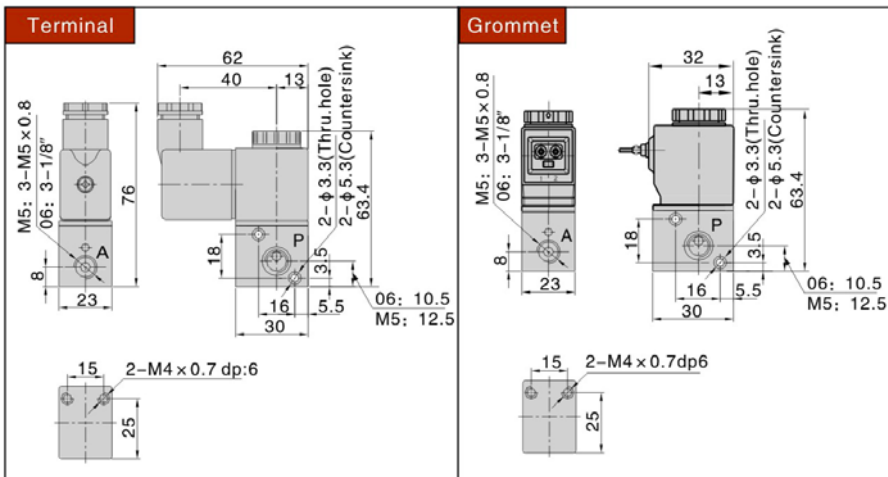
### Flow Charts



### Inner structure



### Dimensions



Dimensions

Series connection

**Dimensions(3F)**

**Dimensions(1F)**

**How to joint**

**Product structure**

| Connection Amount\Q.TY | 3V1      | 3V1-P30 | 3V1-P31     | 3V1-P32 |
|------------------------|----------|---------|-------------|---------|
| 3V1-□-□-1F             | 1        | 0       | 0           | 1       |
| 3V1-□-□-2F             | 2        | 1       | 1           | 1       |
| 3V1-□-□- <i>n</i> F    | <i>n</i> | 1       | <i>n</i> -1 | 2       |

Note: *n* is the number of junction valve, and  $n \geq 3$

Model/Ordering Codes for multi-stacking

**M 3V1 — 06 — A — □ — 3F — G — AM**

**Model**

3V1: Solenoid valve (3/2 way)

**Port size**

M5: M5  
06: 1/8"

**Voltage**

A: AC220V  
B: DC24V  
C: AC110V  
E: AC24V  
F: DC12V

**Electric entry**

Blank: Terminal  
I: Grommet

**Number of stations**

1F: 1 Station  
2F: 2 Stations  
3F: 3 Stations  
.....  
20F: 20 Stations

**Thread type**

G: G  
P: PT

**Coil type**

Blank: Own production coil  
AM: Amisco coil

① When the thread is M5 type, the code is blank.

The above codes have included the series accessories, so it is unnecessary to order the accessories specially. But if you like, you could order as follows.

| Code of accessories | Accessory name          | Part code              | Part name         | Quantity  |
|---------------------|-------------------------|------------------------|-------------------|-----------|
| 3V1-P30             | Coupling screw assembly | F-3V1002N              | Coupling screw(S) | 2         |
|                     |                         | F-3V1003N              | Coupling screw(M) | 2         |
|                     |                         | GOR20008N75            | O-Ring            | 1         |
| 3V1-P31             | Coupling screw assembly | F-3V1004N              | Coupling screw(L) | 2         |
|                     |                         | 3V1-P32                | Bracket assembly  | F-3V1001N |
|                     | GSDA04008WA             | Cross round head screw |                   | 2         |