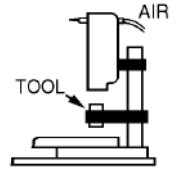


Air Impact Hammer



(Includes all controls)

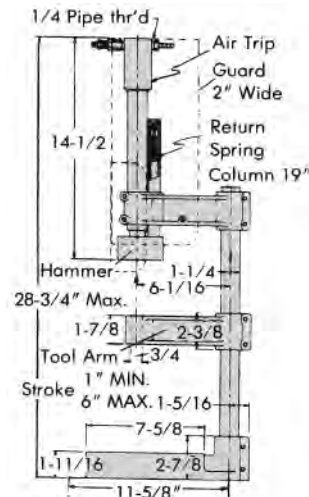
AH-65 delivers a consistent, uniform blow. It is designed to accelerate, then strike a tool which may be guided by the supplied tool arm. A spring returns the hammer to the start position after the work is completed. The head must be free with no fixturing or tooling attached directly to it.



The air hammer's impact force may be adjusted from a few ounces to 4,500 lbs. by raising or lowering the air hammer, adjusting the air trip needle valve, or adjusting the air pressure. The air trip mechanism releases the hammer head when the air in the chamber reaches a pre-set level. The hammer head accelerates to the end of its stroke, with a longer stroke (6" maximum) creating greater velocity and greater impact.

All Controls Included

AH-65 is supplied with a CSV-102 two-hand control unit. The CSV-102 requires the operator to use two hands concurrently and also provides the power valve to run the hammer. See pg. 63.



Note: Width is 4 11/16"
Pressure Range: 25-175 PSI