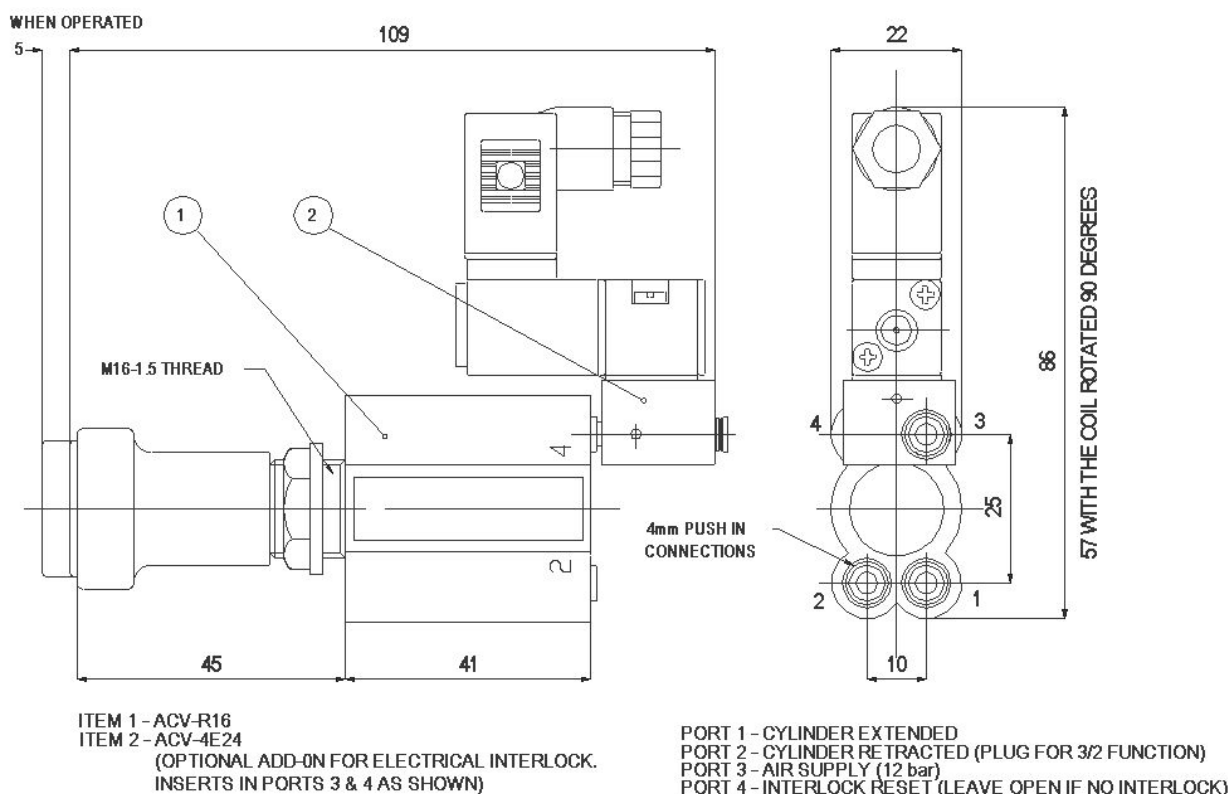


Panel/dash mounted manually operated 4/2 directional control switch for the operation of single and double acting cylinders. These valves have 4mm Push-in Fitting ports and come as standard with a pneumatic rest port and control knob indicator. An additional solenoid manifold block, inserted into the valve ports, converts the switch to an electrical reset version.



Key Features

- Positive spool location indicator, designed into the operating knob
- Extra port to reset the valve to a closed position
- Threaded neck M16 with lock-nut for panel/dash mounting
- Supply and cylinder ports include push-in fittings for 4mm O.D. tubing
- All ports located in the rear of the body, to provide easy access within cabinets



Valve Codes:

ACV-R16 = Red Knob, 4mm Ports, with Air reset (Item 1)

ACV-R16B = Red Knob, 4mm Ports with Electrical rest (24VDC)* (Item 1 & 2)

Sept 12